

# JDB2200 Lamp Testing Module

## Manual and Installation Instructions

Release 1.2  
Issued May 06, 2019

### Description

The module **JDB2200** is a device compatible with other JAB and JDB expansion modules for the Johnson Controls Metasys® FEC family of field equipment controllers. Through its use, the lamp test can be activated on the JAB and JDB modules. In addition, the **JDB2200** provides a potential-free relay output for realizing an external reset function. The **JDB2200** also provides the ability to display the status of two digital inputs with color-coded LEDs in either red, green or orange.

Since the **JDB2200** module does not have any BACnet functions, no configuration software, such as the CCT tool, is required for commissioning.

The **JDB2200** will be mounted as a module for displaying states and operating a lamp test and reset function in the door of the control cabinet. The lamp test signal is to be connected to the corresponding terminals of the JAB and JDB modules.

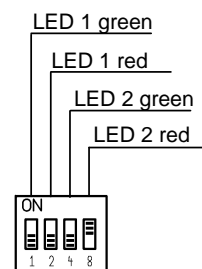


**JDB2200**

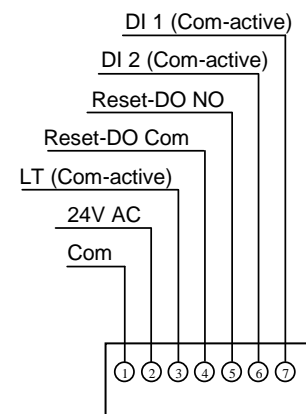
### Encoding the LED Colour

The colour of each LED can be selected by the means of dip switches located at the rear of the **JDB2200** module. Depending on the position of the dip switch, the LED will be lit red or green. See fig. beneath.

If both dip switches of one LED are in the ON position, the LED will be lit orange. In the case that both switches are in the OFF position, the LED does not light up even when the input signal is active.



**Encoding the LED Colour**



**JDB2200 Module  
Wiring Diagram**

### Part Numbers and Designations

Part No.	Designation	Description
00002751	JDB2200	Lamp Testing Module for mounting into the door of a switch cabinet

### Parts Included

- one JDB2200 Lam Testing Module with removable Terminal Plugs
- one Installation Instructions sheet

## Installation

Observe these guidelines when installing the JDB2200 module:

- Transport the modules in the original container to minimize vibration and shock damage to the devices.
- Do not drop the JDB devices or subject it to physical shock.
- Verify that all parts shipped with the JDB modules.

## Mounting

Follow these guidelines when mounting JDB2200 module:

- Mount the JDB2200 module in areas free of corrosive vapours and observe the environmental limitations listed in the *Technical Specifications* section.
- Do not mount the JDB2200 module on surfaces that are prone to vibration.
- Mount the JDB2200 module so that no other parts or devices obstruct ventilation of or radiate heat into the module's housing.

## Materials and Special Tools Needed

- small straight blade screwdriver for securing the wires in the terminal blocks

## Front Panel Mounting (JDB2200)

To mount the JDB2200 module into the front of a switch cabinet:

1. Securely install a 19"-mounting frame (e.g. RTR4084S) in the door of the cabinet. Allow sufficient space for cable and wire connections, especially the USB plugs (minimum of 50 mm [2 inches] at the rear of the module).
2. Put the JDB2200 module in place and fix the screws into the holes of the 19"-rack. Carefully tighten all of the screws.

**IMPORTANT:** Do not overtighten the mounting screws. Overtightening the screws may damage the threads.

## Technical Specifications

### General Specifications

<b>Ambient Operating Conditions</b>	0 to 50°C (32 to 122°F); 10 to 90% RH non-condensing
<b>Ambient Storage Conditions</b>	0 to 70°C (32 to 158°F); 10 to 90% RH non-condensing
<b>Standards Compliance</b>	CE Directive 2014/30/EU CE Directive 2014/35/EU

## JDB2200 Lamp Testing Module

<b>Product Code Numbers</b>	JDB2200 Lamp Testing Module
<b>Supply Voltage</b>	24 VAC ± 10% at 50 or 60 Hz
<b>Power Consumption</b>	maximal 5 VA
<b>Terminations</b>	Spring-type terminals for I/Os and power supply
<b>Mounting</b>	for mounting into a 19"-mounting rack (e.g. RTR4084S)
<b>Dimensions (H x W x D)</b>	129 x 40.5 x 43 mm (5.1 x 1.6 x 1.7 in.) Minimum space for mounting: 135 x 42 x 90 mm (5.3 x 1.7 x 3.6 in.)
<b>Housing</b>	Plastic housing, Plastic material: ABS + Polycarbonate UL94 5VB Protection: IP20 (IEC529) (when using mounting rack RTR4084S: IP54)
<b>Weight</b>	JDB2200: 0.075 kg (0.17 lb)

The performance specifications are nominal and conform to acceptable industry standard. For application at conditions beyond these specifications, consult the local Romotec office. Romotec GmbH shall not be liable for damages resulting from misapplication or misuse of its products.

Latest Information and Firmware Updates will be available on the website [www.romotec.de](http://www.romotec.de)