

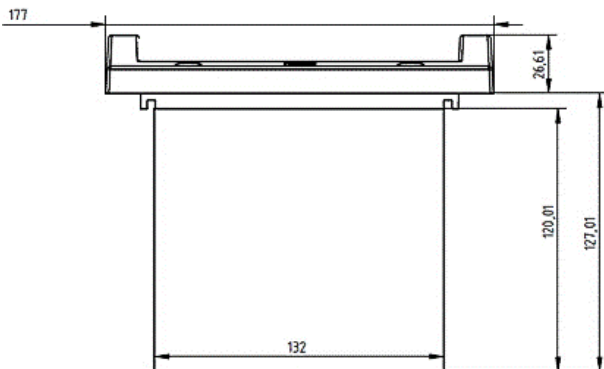
The mounting frame IBGTflex4084S is used for mounting DIN rail devices into a control cabinet's door.

The front around the DIN rail modules will be closed by cover plates so that no view into the control cabinet is possible. These cover plates can be manufactured individually.

The mounting frame will be attached to the cabinet's door with 4 screws M6 (included in delivery).



The frame covers the cutting edges.
Protection class: IP54 due to all-round polyurethane seal.
Lockable with lock 3524E.
The dimensions are shown in the drawing.
Patent-Nr. 10 2004 049 708.7



Material:
Plastic ABS (PA6-GF10) and Makrolon
Color: similar to RAL 7039

CE compliant
Fire behaviour: similar to flammability class UL94 group V2,
self-extinguishing

Ambient conditions:
Operating temperature 0...50°C
Transport and storage temperature -20...+70°C
Relative humidity 5...95%, non-condensing

Dimensions:
Width 483mm, Height 178mm,
Depth (complete structure) 154mm, Installation depth 127 mm

Capacity for holding DIN rail devices up to a width of 426mm
Installation depth of the DIN rail devices:
minimum 45mm, maximum 125mm

Available accessories:
DIN rail, 430mm
Blind plate 3HE, 4TE
Spare key for closure 3524E
Side parts with mounting accessories
Rivets and screws for fixing the DIN rail to the mounting frame