

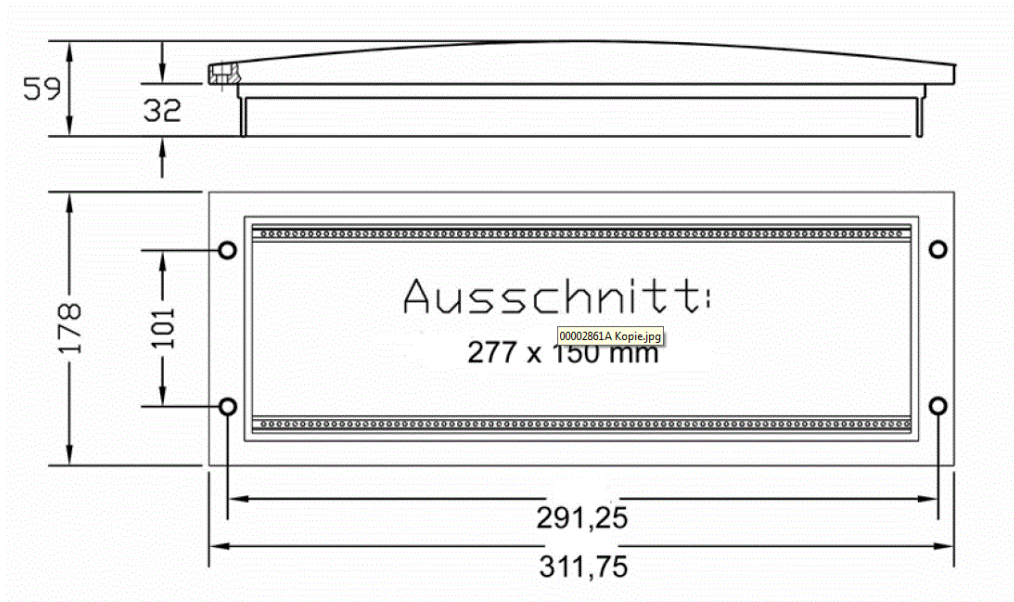
The mounting frame RTR4050 is used for the installation of 6 romutec control modules with 8 TE width. You can mount various 19" modules, i.e. up to 6 romutec modules (width 8TE and height 3HE). The modules will be mounted with screws M2,5. The mounting frame will be attached to the cabinet's door with 4 screws M6 (Type FKSM6, included in delivery). The frame covers the cutting edges. The dimensions are shown in the drawing.



Material: ABS (GA6-PF10).  
Color: similar to RAL 7039  
CE compliant  
Reaction to fire: similar to flammability UL94 group 94HB, self-extinguishing

Dimensions:  
Width: 483mm, height: 178mm  
Depth: 32 mm

Environmental conditions:  
Operation temperature: 0...50C  
Storage temperature: -20...+70C  
Relative humidity: 5...95%, non-condensing



Available accessories:  
2x threaded rail M3 for mounting up to 5 modules with K&P front plate (10TE, 3HE)  
Blind plate 3HE, 4TE