

00002620

selected article: RTR4084S

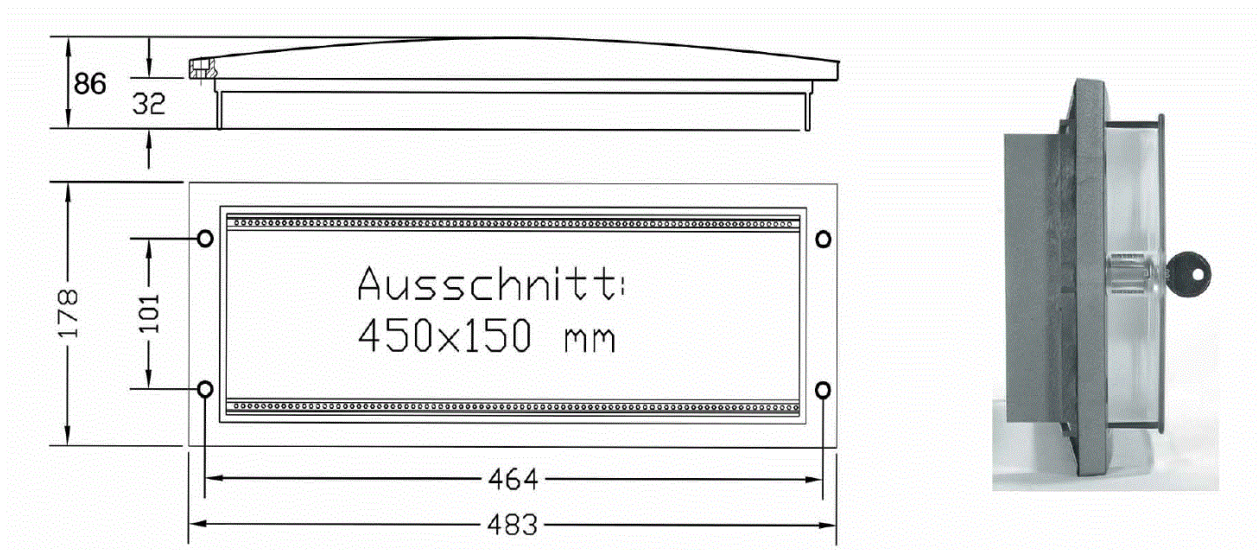
The mounting frame RTR4084S is used for the installation of 10 romutec control modules with 8 TE width.

You can mount various 19" modules, i.e. up to 10 romutec modules (width 8TE and height 3HE). The modules will be mounted with screws M2,5.



The mounting frame will be attached to the cabinet's door with 4 screws M6 (type FKSM6, included in delivery).

The frame covers the cutting edges.
Protection class: IP54 due to all-round polyurethane seal.
Lockable with lock 3524E.
The dimensions are shown in the drawing.
Patent-Nr. 10 2004 049 708.7



Material:
Plastic ABS (PA6-GF10) and Makrolon
Color: similar to RAL 7039

CE compliant
Fire behaviour: similar to flammability class UL94 group V2, self-extinguishing

Dimensions:
Width 483mm,
Height 178mm,
Depth (complete structure) 86mm,
Installation depth 32mm

Ambient conditions:
Operating temperature 0...50°C
Transport and storage temperature -20...+70°C
Relative humidity 5...95%, non-condensing

Available accessories:
2x threaded rail M3, e.g. for mounting up to 8 modules with front plate size of 10TE, 3HE
Blind plate 3HE, 4TE
Spare key for closure 3524E